

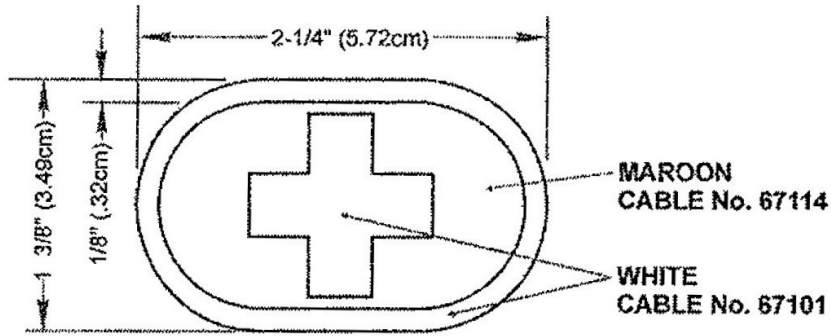
REVISIONS

LTR	DESCRIPTION	DATE	APPROVED
-----	-------------	------	----------

D

C

B



DESIGNED FOR OVEREDGE STITCHING

A

UNLESS OTHERWISE SPECIFIED DIMENSIONS ARE IN INCHES TOLERANCES ON FRACTIONS DECIMALS ANGLES

MATERIALS:  
TO BE MANUFACTURED IN ACCORDANCE WITH MIL-DTL-14652

EXAMINED		
CHECKED	<i>CLH</i>	<i>SAD</i>
PREPARED	<i>CLH</i>	
APPROVED	<i>Charles V. Mugno</i> CHARLES V. MUGNO DIRECTOR	

THE INSTITUTE OF HERALDRY, DEPARTMENT OF THE ARMY  
9325 GUNSTON RD, RM S-113 FORT BELVOIR, VA 22060-5579

BACKGROUND TRIMMING FOR

**8TH MEDICAL DETACHMENT**

SIZE CONTROL IDENT. NO  
**A 22571**

**A-6-295**

SCALE FULL DATE **13 APRIL 2011**